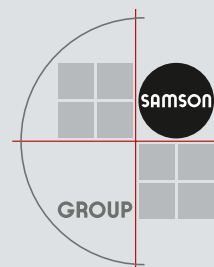
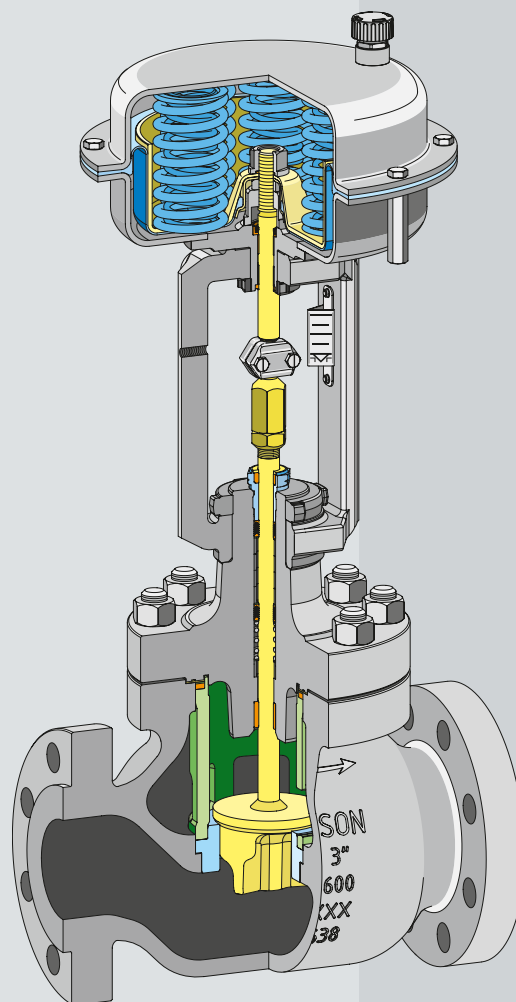
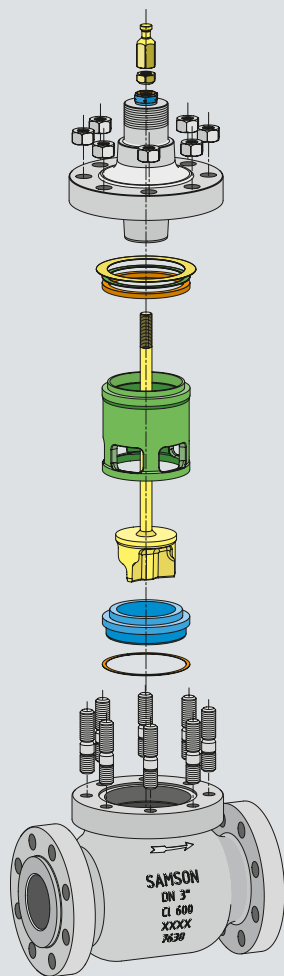


# New Control Solution with Proven Parts


## Type 3291 Globe Valve

SAMSON

- Maintenance-friendly valve
- No special tools required for valve assembly
- Cage-retained seat
- Tried-and-tested valve parts



# Technical data

Valve sizes	NPS ½ to 8 (other valve sizes on request)	
Pressure rating	Class 150 to 900 (further versions on request)	
Temperature range	-198 to 450 °C -325 to 842 °F	
Materials	A 352 LCC, A 216 WCC, A 217 WC6, A 351 CF3M, A 351 CF8M	
End connections	Flanges: all ANSI versions Welding ends: according to ANSI B16.25	
Seat-plug seal	Metal seal, soft seal or high-performance metal seal (leakage class IV to VI)	
Characteristic	Equal percentage, linear or on/off	
Rangeability	50 : 1	

