

Series 240

Type 3241-1 and Type 3241-7 Pneumatic Control Valves Type 3241 Globe Valve

ANSI version

SAMSON

Application

Control valve for process engineering and industrial applications

Valve size	NPS ½ to 12
Pressure rating	Class 125 to 300
Temperatures	-325 to +842 °F (-196 to +450 °C)



Type 3241 Globe Valve operated with

- Type 3271 Pneumatic Actuator (Type 3241-1 Control Valve)
- Type 3277 Pneumatic Actuator (Type 3241-7 Control Valve)

Valve body made of

- Cast iron
- Cast steel, cast stainless steel or cast cold-resisting steel
- Forged steel or forged stainless steel
- Special materials

Undivided valve bonnet up to NPS 6

Valve plug

- Metal seal
- Soft seal
- High-performance metal seal

The control valves, designed according to the modular assembly principle, can be equipped with various accessories: Positioners, limit switches, solenoid valves and other accessories according to IEC 60534-6-1 and NAMUR recommendation. Refer to Information Sheet ▶ T 8350 for more details.

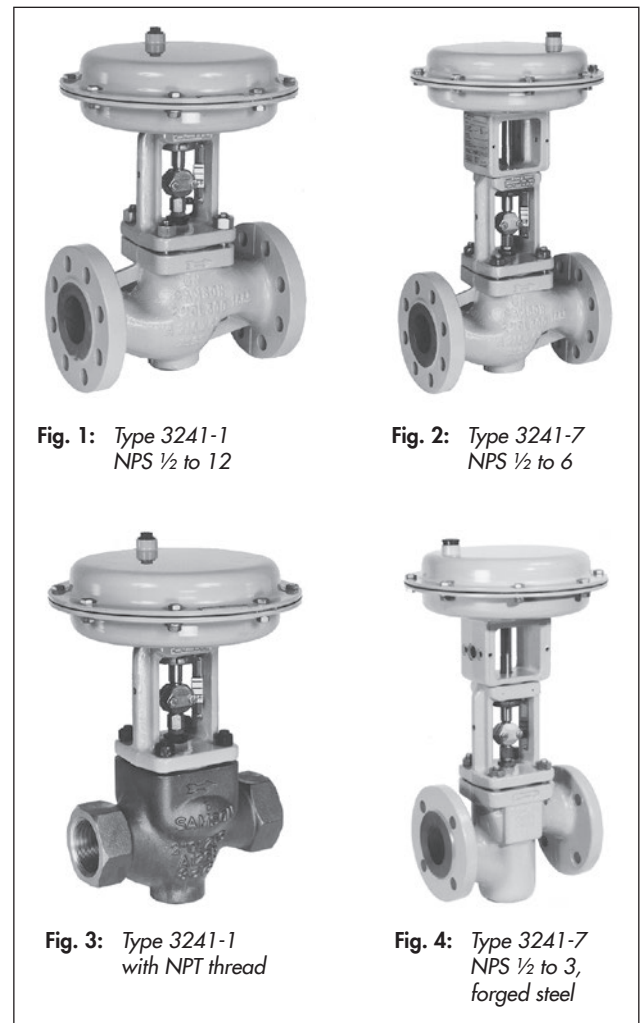
Versions

Standard version for temperatures ranging from -15 to 430 °F (-10 to +220 °C)

- **Type 3241-1** (Fig. 1, Fig. 3) · NPS ½ to 12 · With Type 3271 Pneumatic Actuator (see Data Sheets ▶ T 8310-1, ▶ T 8310-2, and ▶ T 8310-3)
- **Type 3241-7** (Fig. 2, Fig. 4) · NPS ½ to 6 · With Type 3277 Pneumatic Actuator for integral positioner attachment (see Data Sheet ▶ T 8310-1)

Further versions

- **NPT threaded connections** (Fig. 3) · NPS ½ to 2, Class 250
- **Adjustable packing** · See Information Sheet ▶ T 8000-1
- **Flow divider or AC-1/AC-2 Trim** for noise reduction · See Data Sheets ▶ T 8081 and ▶ T 8082
- **Valve plug with pressure balancing** · See Technical data
- **Insulating section or bellows seal** · See Technical data
- **Heating jacket** · On request



- **Stainless steel actuator** · See Data Sheet ▶ T 8310-1
- **Additional handwheel** · See Data Sheets ▶ T 8310-1, ▶ T 8310-2, and ▶ T 8310-3
- **Type 3241 PSA** · Version for pressure swing adsorption plants · See Data Sheets ▶ T 8012-1 and ▶ T 8015-1
- **Typetested version** · For heating systems (▶ T 8016), DIN/DVGW-tested version for gas (▶ T 8020) or liquid fuels and liquefied petroleum gas in the liquid phase (▶ T 8022)

- **DIN version** (▶ T 8015)
- **JIS version** with dimensions according to Japanese Industry Standard (JIS) (▶ T 8012-2)
- **NACE version for sour gas applications** · On request

Principle of operation

The medium flows through the valve in the direction indicated by the arrow. The valve plug position determines the cross-sectional area between the seat and plug.

Fail-safe position

Depending on how the springs are arranged in the pneumatic actuator (see Data Sheets ▶ T 8310-1, ▶ T 8310-2, and ▶ T 8310-3), the valve has two different fail-safe positions effective upon air supply failure:

- **Actuator stem extends (fail-close)**
The valve closes when the supply air fails.
- **Actuator stem retracts (fail-open)**
The valve opens when the supply air fails.

Differential pressures

Permissible differential pressures are listed in Information Sheet ▶ T 8000-4.

Fig. 5 to Fig. 8 show configuration examples.

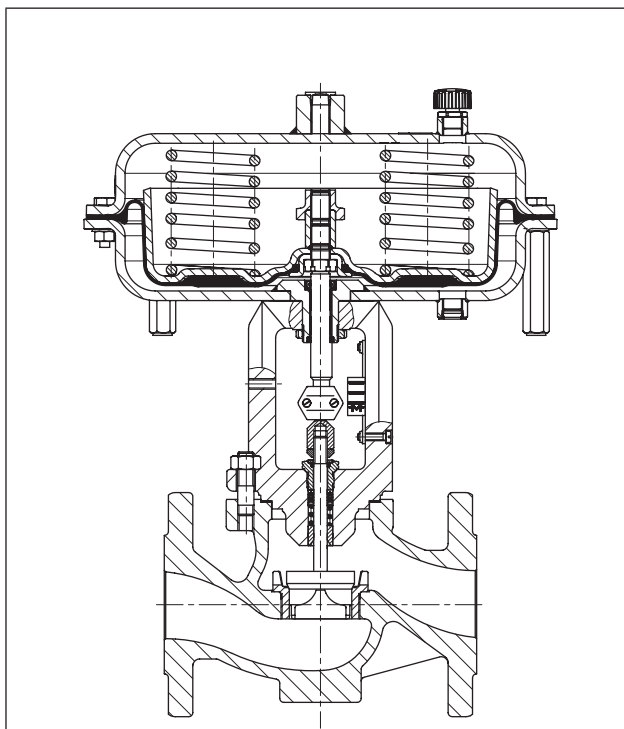


Fig. 5: Type 3241-1 Control Valve, NPS ½ to 6, with Type 3271 Actuator

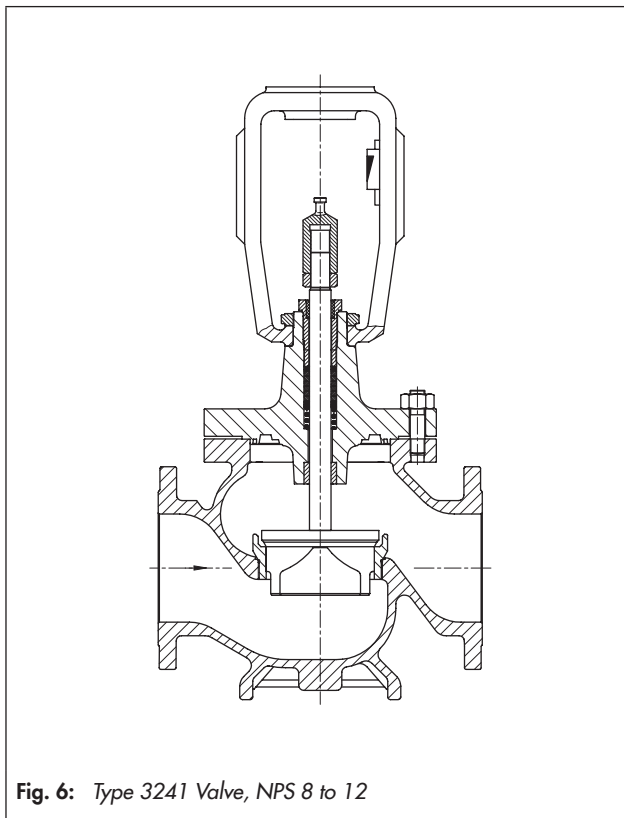


Fig. 6: Type 3241 Valve, NPS 8 to 12

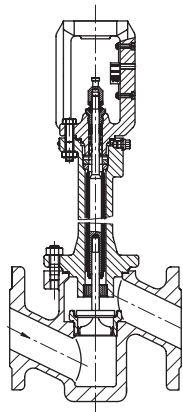


Fig. 7: Type 3241 Valve, forged steel version, NPS ½ to 3, with bellows seal

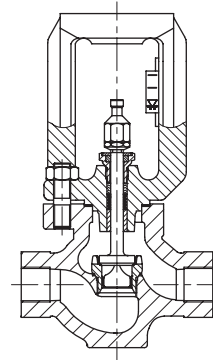


Fig. 8: Type 3241 Valve, NPS ½ to 2 with NPT thread

Table 1: Technical data

Valve size	NPS	1 to 6	½ to 2	½ to 12			½, 1, 1½, 2, 3 ²⁾		
ASTM material		Cast iron A 126 B		Cast steel A216 WCC	Cast stainless steel A351 CF8M	Cast steel A352 LCC	Cast stainless steel A351 CF8	Forged steel A105	Forged stainless steel A182 F316
Pressure rating	Class	125	250	150/300			300		
Type of connection	Flanges	FF	–	RF ¹⁾			RF ¹⁾		
	Welding ends	–	–	DIN EN 12627 Fig. 2 Only for NPS 1, 1½, 2, 3, 4, 6, 8, 10, 12			–		
	Thread	–	NPT	–			–		
Seat-plug seal		Metal seal · Soft seal · High-performance metal seal							
Characteristic		Equal percentage · Linear (according to Information Sheet ▶ T 8000-3)							
Rangeability		50:1 for NPS ½ to 2 · 30:1 for NPS 2½ to 6 · 50:1 for NPS 8 and larger							
Heating jacket		Class 150							
Compliance		CE · EAC							
Temperature ranges in °C (°F) · Permissible operating pressures acc. to pressure-temperature diagram (see Information Sheet ▶ T 8000-2)									
Body without insulating section		–10 to +220 °C (15 to 430 °F)							
Body with	Insulating section	Short in °C (°F)	–29 to +232 (–20 to +449)	–29 to +427 (–20 to +800)	–50 to +450 (–58 to +842)	–46 to +343 (–50 to +650)	–50 to +300 (–58 to +572)	–29 to +427 (–20 to +800)	–50 to +450 (–58 to +842)
		Long in °C (°F)	–	–	–196 to +450 (–325 to +842)	–	–196 to +300 (–325 to +572)	–	–196 to +450 (–325 to +842)
	Bellows seal	Short in °C (°F)	–29 to +232 (–20 to +449)	–29 to +427 (–20 to +800)	–50 to +427 (–58 to +800)	–46 to +343 (–50 to +650)	–50 to +300 (–58 to +572)	–29 to +427 (–20 to +800)	–50 to +450 (–58 to +842)
		Long in °C (°F)	–	–	–196 to +427 (–325 to +800)	–	–196 to +300 (–325 to +572)	–	–196 to +450 (–325 to +842)
Valve plug	Standard	Metal seal	–196 to +450 °C (–325 to +842 °F)						
		Soft seal	–196 to +220 °C (–325 to +428 °F)						
	Balanced	With PTFE ring	–50 to +220 °C (–58 to +428 °F) · Lower temperatures on request						
		With graphite ring	220 to 450 °C (428 to 842 °F)						
Leakage class according to ANSI/FCI 70-2									
Valve plug	Standard	Metal seal	Standard: IV · High-performance metal seal: V						
		Soft seal	VI						
	Balanced	Metal seal	Standard IV · With PTFE or graphite balancing ring Special version V · For high-performance (only with PTFE balancing ring) on request						

¹⁾ Other versions on request

²⁾ NPS 3 only in A 105

Table 2: Materials

Valve body ¹⁾	Cast iron A 126 B	Cast steel A216 WCC	Cast stainless steel A351 CF8M	Cast steel A352 LCC	Cast stainless steel A351 CF8	Forged steel A105	Forged stainless steel A182 F316
Valve bonnet	A105/ A 126 B	A105/ A216 WCC	A182 F316 A351 CF8M	A350 LF2 A352 LCC	A182 F304 A351 CF8	A105	A182 F316
Seat ²⁾	Cr steel UNS S41000/1.4008		A 182 F316L/ A 351 CF3M	Cr steel UNS S41000/ 1.4008	A182 F304/ A 351 CF8	Cr steel UNS S41000/ 1.4008	A182 F316L/ A351 CF3M
Plug ²⁾	Cr steel UNS S41000 (A182 F316L)/1.4008		A 182 F316L/ A 351 CF3M	Cr steel UNS S41000 (A182 F316L)/ 1.4008	A182 F304/ A351 CF8	Cr steel UNS S41000 (A182 F316L)/ 1.4008	A182 F316L/ A351 CF3M
Plug seal	Seal ring for soft-seated plug: PTFE with glass fiber						
	Seal ring for balanced plug: PTFE with carbon or graphite ring					-	
Guide bushings	A 582 430 F		316L	316L	A182 F304	A 582 430F	316L
Packing ³⁾	V-ring packing: PTFE with carbon · Spring: A479 302						
Body gasket	Graphite on metal core						
Insulating section	A105	A105	A182 F316	A350 LF2	A182 F304	A105	A182 F316
Metal bellows seal							
Intermediate piece	A105	A105	A182 F316	A350 LF2	A182 F304	A105	A182 F316
Metal bellows	1.4571 ⁴⁾				A182 F321	1.4571	
Heating jacket	-	A182 F316L					

¹⁾ Special materials for applications with sea water: N 08904, duplex A 995 4 A; nickel-based alloy: A 494 LW-21M; other special materials on request

²⁾ Seats and metal-seated plug also with Stellite® facing; for ≤ NPS 4 plug up to seat bore 38 made of solid Stellite® available.

³⁾ Other packings on request (► T 8000-1)

⁴⁾ Other materials on request

Ordering text

Globe valve	Type 3241
Valve size	NPS ...
Pressure rating	Class ...
Body material	According to Table 2
Type of connection	Flanges (RF or FF), welding ends or NPT thread
Seat-plug seal	Soft seal, metal seal or high-performance metal seal
Characteristic	Equal percentage or linear
Pneumatic actuator	Type 3271 or Type 3277
Fail-safe position	Fail-close or fail-open
Process medium	Density and temperature
Max. flow rate	in kg/h or m ³ /h
Pressure	p ₁ and p ₂ in bar or psi (absolute pressure)
Valve accessories	Positioner and/or limit switch

Table 3: C_V and K_{VS} coefficientsTerms for control valve sizing according to IEC 60534, Parts 2-1 and 2-2: $F_L = 0.95$, $X_T = 0.75$ Conversion of flow coefficients: C_V (US gallons/min.) = $1.17 \times K_{VS}$ (m³/h) or $K_{VS}/C_V = 0.865$ **Table 3.1:** Overview with flow divider St I (C_{VI}/K_{VSI}), St II (C_{VII}/K_{VSI}), and St III (C_{VIII}/K_{VSI})

C_V	0.12	0.2	0.3	0.5	0.75	1.2	2	3	5	7.5	12	20	30	47	70	95	120	190	300	290	420	735	1150	1730					
K_{VS}	0.1	0.16	0.25	0.4	0.63	1.0	1.6	2.5	4.0	6.3	10	16	25	40	60	80	63	100	160	260	250	360	630	1000	1500				
C_{VI}	-	-	-	-	-	-	1.7	2.6	4.2	7	10.5	17	26	42	62	85	67	105	170	275	265	375	650	1040	1560				
K_{VSI}	-	-	-	-	-	-	1.45	2.2	3.6	5.7	9	14.5	22	36	54	72	57	90	144	234	225	320	560	900	1350				
C_{VII}	-	-	-	-	-	-	-	-	-	-	9.5	15	23	37	56	-	60	95	145	245	235	335	580	950	1400				
K_{VSI}	-	-	-	-	-	-	-	-	-	-	8	13	20	32	48	-	50	80	125	210	200	290	500	800	1200				
C_{VIII}	-	-	-	-	-	-	-	-	-	-	9	14	23	35	-	-	55	90	140	-	220	315	560	880	1280				
K_{VSI}	-	-	-	-	-	-	-	-	-	-	7.5	12	20	30	-	-	47	75	120	-	190	270	480	750	1100				
Seat (\varnothing)	in	0.12		0.24		0.47		0.945		1.22	1.5	1.9	2.48	3.15	2.48	3.15	3.94	5.12	4.92	5.91	7.87	9.84	11.8						
	mm	3		6		12		24		31	38	48	63	80	63	80	100	130	125	150	200	250	300						
Travel	in	0.59												1.18			2.36		4.72										
	mm	15												30			60		120										

Table 3.2: Versions without flow divider (C_V/K_{VS}) · Areas highlighted in gray indicate versions also with pressure balancing

C_V	0.12	0.2	0.3	0.5	0.75	1.2	2	3	5	7.5	12	20	30	47	70	95	120	190	300	290	420	735	1150	1730	
K_{VS}	0.1	0.16	0.25	0.4	0.63	1.0	1.6	2.5	4.0	6.3	10	16	25	40	60	80	63	100	160	260	250	360	630	1000	1500
NPS	DN																								
1/2	15	•	•	•	•	•	•	•	•																
3/4	20	•	•	•	•	•	•	•	•	•															
1	25	•	•	•	•	•	•	•	•	•	•														
1 1/2	40				•	•	•	•	•	•	•	•	•												
2	50				•	•	•	•	•	•	•	•	•	•											
2 1/2	65												•	•	•										
3	80												•	•	•	•	• ¹⁾		• ¹⁾						
4	100																•	•	•	•					
6	150																•	•	•	•	•				
8	200																	•	•		•	•	•		
10	250																	•	•		•	•	•	•	
12	300																	•		•	•	•	•	•	•

¹⁾ With 19 mm overtravel (not with bellows seal)**Table 3.3:** Versions with flow divider St I (C_{VI}/K_{VSI}) · Areas highlighted in gray indicate versions also with pressure balancing

C_{VI}																									
K_{VSI}																									
NPS	DN																								
1/2	15							•	•	•															
3/4	20							•	•	•															
1	25							•	•	•															
1 1/2	40										•	•	•	•											
2	50										•	•	•	•	•										
2 1/2	65												•	•	•										
3	80																								
4	100																	•	•	•	•				
6	150																	•	•	•	•	•			
8	200																		•	•		•	•	•	
10	250																		•	•		•	•	•	•
12	300																		•		•	•	•	•	•

Table 3.1: Overview with flow divider St I (C_{V1}/K_{VS1}), St II (C_{V2}/K_{VS2}) and St III (C_{V3}/K_{VS3})

C_V	0.12	0.2	0.3	0.5	0.75	1.2	2	3	5	7.5	12	20	30	47	70	95	75	120	190	300	290	420	735	1150	1730
K_{VS}	0.1	0.16	0.25	0.4	0.63	1.0	1.6	2.5	4.0	6.3	10	16	25	40	60	80	63	100	160	260	250	360	630	1000	1500
C_{V1}	-	-	-	-	-	-	1.7	2.6	4.2	7	10.5	17	26	42	62	85	67	105	170	275	265	375	650	1040	1560
K_{VS1}	-	-	-	-	-	-	1.45	2.2	3.6	5.7	9	14.5	22	36	54	72	57	90	144	234	225	320	560	900	1350
C_{V2}	-	-	-	-	-	-	-	-	-	-	9.5	15	23	37	56	-	60	95	145	245	235	335	580	950	1400
K_{VS2}	-	-	-	-	-	-	-	-	-	-	8	13	20	32	48	-	50	80	125	210	200	290	500	800	1200
C_{V3}	-	-	-	-	-	-	-	-	-	-	9	14	23	35	-	-	55	90	140	-	220	315	560	880	1280
K_{VS3}	-	-	-	-	-	-	-	-	-	-	7.5	12	20	30	-	-	47	75	120	-	190	270	480	750	1100
Seat (\varnothing D)	in	0.12		0.24		0.47		0.945		1.22	1.5	1.9	2.48	3.15	2.48	3.15	3.94	5.12	4.92	5.91	7.87	9.84	11.8		
	mm	3		6		12		24		31	38	48	63	80	63	80	100	130	125	150	200	250	300		
Travel	in	0.59												1.18			2.36		4.72						
	mm	15												30			60		120						

Table 3.4: Versions with flow divider St II (C_{V2}/K_{VS2}) · Areas highlighted in gray indicate versions also with pressure balancing

C_{V2}	-										9.5	15	23	37	56	-	60	95	145	245	250	335	580	950	1400		
K_{VS2}	-										8	13	20	32	48	-	50	80	125	210	200	290	500	800	1200		
NPS	DN																										
1/2	15																										
3/4	20																										
1	25																										
1 1/2	40																										
2	50																										
2 1/2	65																										
3	80																										
4	100																										
6	150																										
8	200																										
10	250																										
12	300																										

Table 3.5: Versions with flow divider St III (C_{V3}/K_{VS3}) · Areas highlighted in gray indicate versions also with pressure balancing

C_{V3}	-										9	14	23	35	-	-	55	90	140	-	220	315	560	880	1280		
K_{VS3}	-										7.5	12	20	30	-	-	47	75	120	-	190	270	480	750	1100		
NPS	DN																										
1/2	15																										
3/4	20																										
1	25																										
1 1/2	40																										
2	50																										
2 1/2	65																										
3	80																										
4	100																										
6	150																										
8	200																										
10	250																										
12	300																										

¹⁾ Not with bellows seal or insulating section

Table 4: Dimensions and weights for standard version of Type 3241-1 and Type 3241-7 Valves with flanges or welding ends

Table 4.1: Dimensions for Type 3241 Valve, up to NPS 6 · Without actuator · Dimensions in inch and mm

Valve		NPS	½	¾	1	1½	2	2½	3	4	6
		DN	15	20	25	40	50	65	80	100	150
		NPT	½	¾	1	1½	2	–	–	–	–
Length L ¹⁾	Class 125 and 150	in	7.25	7.25	7.25	8.75	10.0	10.88	11.75	13.88	17.75
		mm	184	184	184	222	254	276	298	352	451
	Class 300	in	7.50	7.62	7.75	9.25	10.50	11.50	12.50	14.50	18.62
		mm	190	194	197	235	267	292	318	368	473
Length L1	Class 250	in	6	6	6	8	9.25	–	–	–	–
		mm	152.4	152.4	152.4	203.2	235	–	–	–	–
H1 for actuator	≤750 cm ²	in	8.74			8.78		10.31		13.94	15.35
		mm	222			223		262		354	390
	1000 cm ² 1400-60 cm ²	in	–							16.26	17.72
		mm	–							413	450
1400-120 cm ² 2800 cm ²	in	–									
	mm	–									
H2 for version	Cast steel	in	1.73	1.73	1.73	2.83	2.83	3.86	3.86	4.65	6.89
		mm	44	44	44	72	72	98	98	118	175
	Forged steel	in	2.1	–	2.76	3.62	3.86	–	5.05	–	–
		mm	53	–	70	92	98	–	128	–	–

¹⁾ Face-to-face dimensions according to ANSI/ISA 75.08.01

Table 4.2: Dimensions for Type 3241 Valve, NPS 8 and larger · Without actuator · Dimensions in inch and mm

Valve		NPS	8	10	10	10	12
		DN	200	250/cast iron	250 up to 200 mm seat bore	250 seat bore 250 mm and larger	300
Length L ¹⁾	Class 125 and 150	in	21.38	26.50	26.50	26.50	29.00
		mm	543	673	673	673	737
	Class 300	in	22.38	27.88	27.88	27.88	30.50
		mm	568	708	708	708	775
H4	in	15.35	15.35	17.76	17.76	25.67	
	mm	390	390	451	451	652	
H8 ²⁾ for ac- tuator	1000 cm ² 1400-60 cm ²	in	16.46	16.46	16.46	19.80	19.80
		mm	418	418	418	503	503
	1400-120 cm ² 2800 cm ²	in	19.80	19.80	19.80	25.59	25.59
		mm	503	503	503	650	650
H2	in	9.65	10.63	12.20	12.20	14.57	
	mm	245	270	310	310	370	

¹⁾ Face-to-face dimensions according to ANSI/ISA 75.08.01

²⁾ H8 increases by 170 mm for valves with K_{V5} 250, 360 or 630 and 60 mm rated travel operating with overtravel.

Table 4.3: Dimensions for Type 3271 and Type 3277 Pneumatic Actuators - Dimensions in inch and mm

Actuator area	cm ²	120	175	240	350	355	700	750	1000	1400-60	1400-120	2800
Diaphragm ØD	in	6.61	8.46	9.45	11.02	11.02	15.35	15.51	18.19	20.87	21.02	30.32
	mm	168	215	240	280	280	390	394	462	530	534	770
H ¹⁾	in	2.71	3.07	2.44	3.23	4.76	7.83	9.29	15.87	11.3	19.29 ³⁾ / 22.83 ⁴⁾	24.80 ³⁾ / 27.36 ⁴⁾
	mm	69	78	62	82	121	199	236	403	287	490 ³⁾ / 580 ⁴⁾	630 ³⁾ / 695 ⁴⁾
H3 ²⁾	in	4.33	4.33	4.33	4.33	4.33	7.48	7.48	24.02	24.02	25.59	25.59
	mm	110	110	110	110	110	190	190	610	610	650	650
H5	Type 3277 in	3.46	3.98	3.98	3.98	3.98	3.98	3.98	-	-	-	-
	Type 3277 mm	88	101	101	101	101	101	101	-	-	-	-
Thread	Type 3271	M30 x 1.5							M60 x 1.5		M100 x 2	
	Type 3277	M30 x 1.5							-	-	-	-
α	Type 3271	G 1/8 (1/8 NPT)	G 1/4 (1/4 NPT)	G 1/4 (1/4 NPT)	G 3/8 (3/8 NPT)	G 3/8 (3/8 NPT)	G 3/8 (3/8 NPT)	G 3/8 (3/8 NPT)	G 3/4 (3/4 NPT)	G 3/4 (3/4 NPT)	G 1 (1 NPT)	G 1 (1 NPT)
α2	Type 3277	-	G 3/8	G 3/8	G 3/8	G 3/8	G 3/8	G 3/8	-	-	-	-

1) Height with welded-on lifting eyelet or height of eyebolt according to DIN 580. Height of the swivel lifting hook may differ. Actuators up to 355 cm² without lifting eyelet

2) Minimum clearance required to remove the actuator

3) Height for version with welded-on lifting eyelet (material EN-JS1030)

4) Height for version with female thread (material 1.5638/A352 LC3)

Table 4.4: Weights for Type 3241-1 and Type 3241-7 · Weights in lbs and kg

Valve	NPS	1/2	3/4	1	1 1/2	2	2 1/2	3	4	6	8	10	12
	mm	15	20	25	40	50	65	80	100	150	200	250	300
Weight without actuator	lbs	15	18	20	35	44	71	82	137	287	1096	1892	2535
	kg	7	8	9	16	20	32	37	62	130	497	858	1150

Actuator	cm ²	120	240	350	355	700	750	1000	1400-60	1400-120	2800	
Type 3271	Without hand-wheel	lbs	6	11	18	33	49	79	176	154	386	992
		kg	2.5	5	8	15	22	36	80	70	175	450
	Travel ≤80 mm	lbs	-	20	29	51	60	90	397	386	661	1268
		kg	-	9	13	23	27	41	180	175	300	575
	Travel ≤160 mm	lbs	-	-	-	-	-	-	-	-	937	1543
		kg	-	-	-	-	-	-	-	-	425	700
Type 3277	Without hand-wheel	lbs	7	20	26	42	57	88	-	-	-	-
		kg	3.2	9	12	19	26	40	-	-	-	-
	With hand-wheel	lbs	-	29	37	53	68	99	-	-	-	-
		kg	-	13	17	24	31	45	-	-	-	-

Table 5: Dimensions and weights for Type 3241 Valve with insulating section or bellows seal

Table 5.1: Dimensions in mm and weights Type 3241 Valve, NPS ½ to 6 and ½ to 2 NPT thread · Without actuator · Dimensions in inch and mm · Weights in lbs and kg

Valve size		NPS	½	¾	1	1½	2	2½	3	4	6
		DN	15	20	25	40	50	65	80	100	150
Insulating section or bellows seal											
H4 for actuator	≤750 cm ²	Short	in	16.10			16.14	17.76		25.04	26.46
			mm	409			410	451		636	672
		Long	in	28.07			28.11	29.72		34.53	35.94
			mm	713			714	755		877	913
	1000 cm ² / 1400-60 cm ²	Short	in	-						27.36	28.82
			mm	-						695	732
		Long	in	-						36.85	38.31
			mm	-						936	973
1400-120 cm ² / 2800 cm ²	Short Long	in	-								
		mm	-								
Weight without actuator (approx.)	Short	lbs	22	24	26	49	57	88	99	176	353
		kg	10	11	12	22	26	40	45	80	160
	Long	lbs	31	33	35	57	66	97	108	194	370
		kg	14	15	16	26	30	44	49	88	168

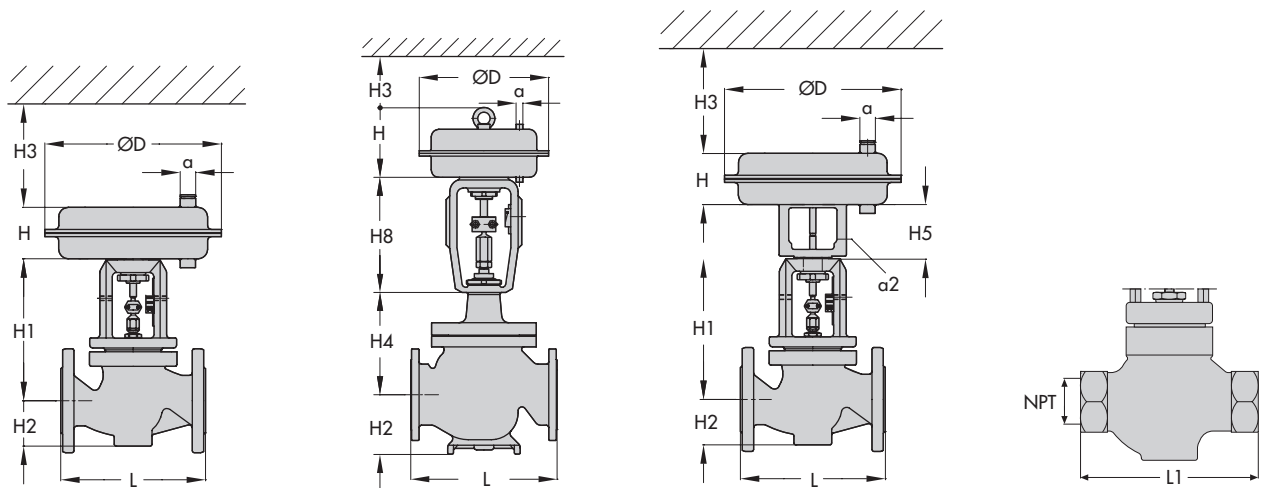
Table 5.2: Dimensions in mm and weights Type 3241 Valve, NPS 8 to 12 · Without actuator · Dimensions in inch and mm · Weights in lbs and kg

Version with		Insulating section					Metal bellows			
Valve size	NPS	8	10 Up to 200 mm seat bore	10 Seat bore 250	12	8	10 Up to 200 mm seat bore	10 Seat bore 250	12	
	DN	200	250 Up to 200 mm seat bore	250 Seat bore 250	300	200	250 Up to 200 mm seat bore	250 Seat bore 250	300	
H4 for actuator	1000 cm ² / 1400-60 cm ²	in	32.7	41.9	-	45.3	40.8	58.7	-	59.8
		mm	830	1065	-	1150	1036	1492	-	1520
	1400-120 cm ² / 2800 cm ²	in	32.7	41.9	41.9	45.3	40.8	58.7	58.7	59.8
		mm	830	1065	1065	1150	1036	1492	1492	1520
H8 for actuator	1000 cm ² / 1400-60 cm ²	in	16.5	16.5	19.8	19.8	16.5	16.5	19.8	19.8
		mm	418	418	503	503	418	418	503	503
	1400-120 cm ² / 2800 cm ²	in	19.8	19.8	25.6	25.6	19.8	19.8	25.6	25.6
		mm	503	503	650	650	503	503	650	650
Weight without actuator (approx.)	lbs	1191	2220	2220	2690	1312	2407	2407	2793	
	kg	540	1007	1007	1220	595	1092	1092	1267	

Table 6: Dimensions for Type 3241 Valve with heating jacket · Not for valves with body material A 126 B · Dimensions in inch and mm

Valve size	NPS	1	1½ - 2	3	4	6	8 to 12
	DN	25	40 - 50	80	100	150	200 to 300
a	in	4.3	5.5	7.1	7.9	10.4	On request
	mm	110	140	180	200	265	
b	in	0.6	0.8	1.4	2	3.2	
	mm	15	20	35	50	80	
c	in	5.5	6.7	8.5	10	5.1	
	mm	140	170	215	255	130	
d	in	7.5	7.5	9.1	12.6	14	
	mm	190	190	230	320	355	

Dimensional drawings



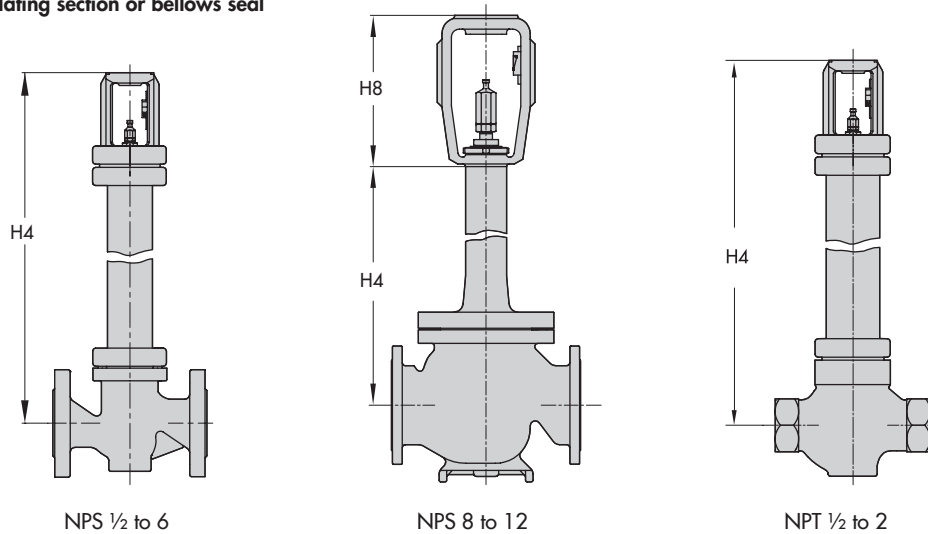
Type 3241-1 · NPS ½ to 6

Type 3241-1 · NPS 8 to 12

Type 3241-7 · NPS ½ to 6

Type 3241 · NPT ½ to 2

Versions with insulating section or bellows seal

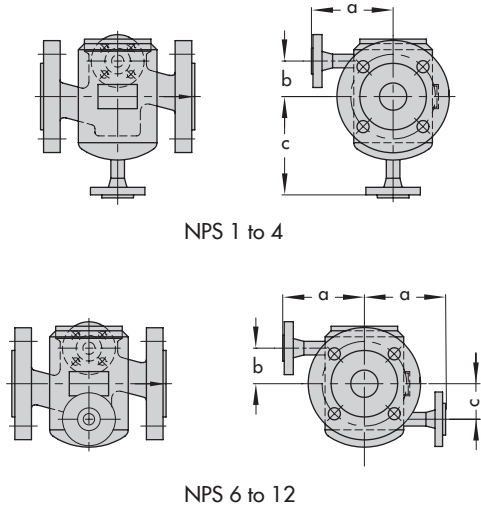


NPS ½ to 6

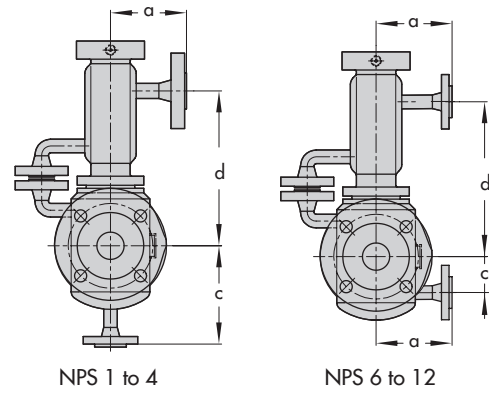
NPS 8 to 12

NPT ½ to 2

Versions with heating jacket



Versions with insulating section or bellows seal



Note: The temperature limits for DIN and ANSI versions are not directly converted temperatures.

Specifications subject to change without notice



SAMSON AG · MESS- UND REGELTECHNIK
 Weismüllerstraße 3 · 60314 Frankfurt am Main, Germany
 Phone: +49 69 4009-0 · Fax: +49 69 4009-1507
 samson@samson.de · www.samson.de

T 8012 EN

2016-04-12 · English